



MCM OIL TOOLS

Tel: 713-541-1212 Fax: 713-541-4664 E-mail: sales@mcmoiltools.com

9217 Summerbell Lane, Houston, Texas 77074



6A-0566

MCM OIL TOOLS products are manufactured and engineered to exact specifications. Our Products meet or exceed the OEM's Material specifications.

Material Certifications are kept on all products and available upon request.

All MCM OIL TOOLS' replacement parts are completely interchangeable with OEM components.

We offer quality products at very competitive prices. Our large inventory enables us to promptly fill orders.

MCM OIL TOOLS is API 6A Certified.

Cameron, WKM, Shaffer and Swaco are registered trademarks of companies not affiliated with MCM in any way.



MCM OIL TOOLS

Tel: 713-541-1212 Fax: 713-541-4664 E-mail: sales@mcmoiltools.com

9217 Summerbell Lane, Houston, Texas 77074



6A-0566

Product Index

GATE VALVE AND REPLACEMENT PARTS

PAGE #

CAMERON STYLE 'F' & 'FC' MANUAL VALVE

1-6

CAMERON STYLE 'F' & 'FC' HYDRAULIC VALVE

7-12

CAMERON STYLE 'FL' MANUAL VALVE

13-14

WKM STYLE MODEL 'M', 2000-5000 PSI VALVE

15-16

SHAFFER STYLE 'B' VALVE

17-18

SHAFFER STYLE 'DB' VALVE

19-22

FLOCON STYLE VALVE

**To order Flocon & Foley style valves/parts, please use their part number description*

FOLEY STYLE VALVE

CHOKES & CHOKE PARTS

CAMERON STYLE 'H2' CHOKE

23-24

CAMERON STYLE HYDRAULIC DRILLING CHOKE

25-26

SWACO STYLE HYDRAULIC DRILLING CHOKE

27

CHECK VALVES AND PARTS

CAMERON STYLE 'R' AND 'MS' CHECK VALVE

28-29

Note: Please order by OEM part numbers

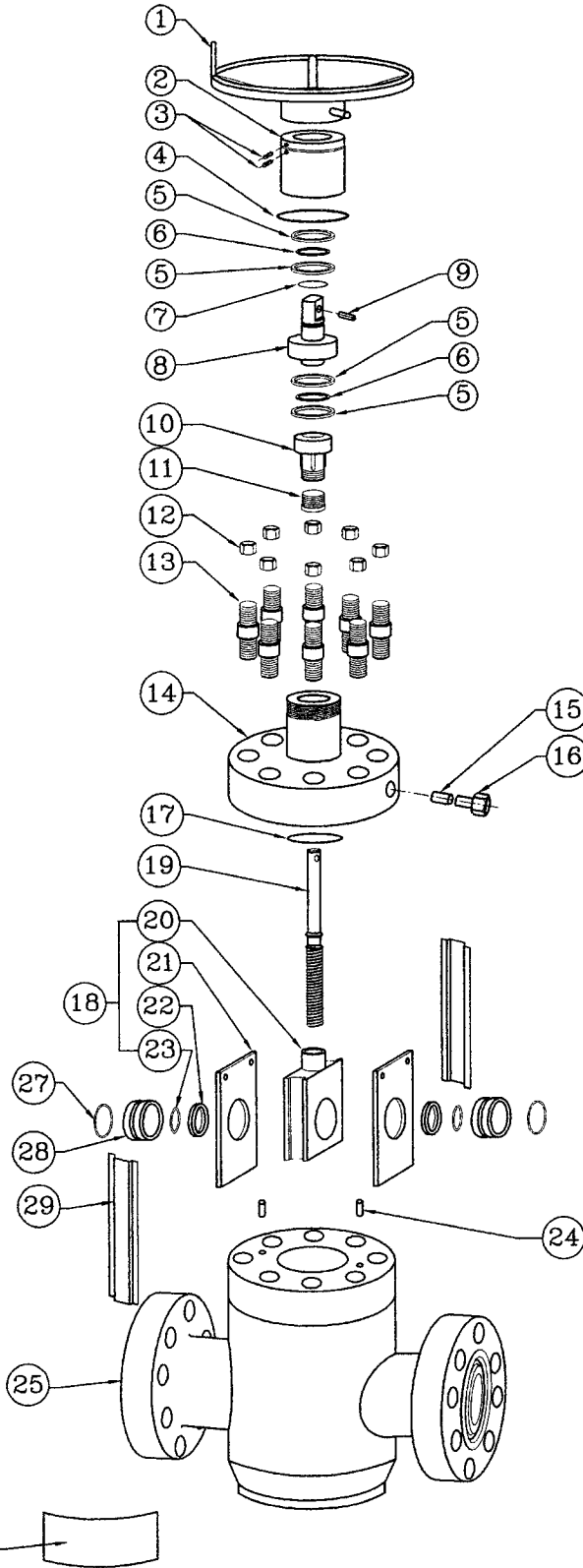
OEM part numbers shown in this Catalog are for reference only

MCM OIL TOOLS is not affiliated with any of the above companies

Cameron, WKM, Shaffer and Swaco are registered trademarks of companies not affiliated with MCM in any way.



Cameron Type 'F' & 'FC' Manual Valve



Parts List

- 1 Hand Wheel
- 2 Bearing Cap
- 3 Grease Fitting (Bearing Cap)
- 4 O-Ring
- 5 Bearing Race
- 6 Thrust Bearing
- 7 O-Ring (Stem Adapter)
- 8 Stem Adapter
- 9 Stem Pin
- 10 Packing Gland
- 11 Stem Packing
- 12 Nut
- 13 Stud
- 14 Bonnet
- 15 Check Valve
- 16 Grease Fitting
- 17 Bonnet Gasket
- 18 Gate & Seat Assembly
- 19 Stem
- 20 Gate
- 21 Retainer Plate
- 22 Seat Ring
- 23 Seal Ring
- 24 Pin
- 25 Body
- 26 Name Plate
- 27 Seal Ring
- 28 Body Bushing
- 29 Guide



MCM OIL TOOLS

Tel: 713-541-1212 Fax: 713-541-4664 E-mail: sales@mcmoiltools.com

9217 Summerbell Lane, Houston, Texas 77074



6A-0566

Replacement Parts for Cameron Type 'F' & 'FC' Manual Valve 1-13/16"

Item No.	Description	Qty	10,000 PSI	10,000 PSI	15,000 PSI	15,000 PSI	15,000 PSI
			Stainless Steel Trim	Super Trim	Stainless Steel Trim	Super Trim	Full SS w/Super Trim
			Part Number	Part Number	Part Number	Part Number	Part Number
1	Handwheel	1	19937-01	19937-01	19937-03	19937-03	19937-03
2	Bearing Cap	1	19106-01	19106-01	19106-01	19106-01	19106-01
3	Grease Fitting (Bearing Cap)	2	5929-05	5929-05	5929-05	5929-05	5929-05
4	O-Ring	1	OR-340	OR-340	OR-340	OR-340	OR-340
5	Bearing Race	4	TRD2840	TRD2840	TRD2840	TRD2840	TRD2840
6	Thrust Bearing	2	NTA2840	NTA2840	NTA2840	NTA2840	NTA2840
7	O-Ring (Stem-Adapter)	1	OR-222	OR-222	OR-222	OR-222	OR-222
8	Stem Adapter	1	20871-01	20871-01	20871-01	20871-01	20871-01
9	Stem Pin	1	21812-14	21812-14	21812-14	21812-14	21812-14
10	Packing Gland	1	20874-01	20874-01	20874-01	20874-01	20874-01
11a	Stem Packing	1	23678-01	686598-01	686598-01	686598-01	686598-01
*	11b Back Up Ring	1	-	-	691889-01	691889-01	691889-01
12	Nut	8	5926-25-10	5926-25-10	5926-25-10	5926-25-10	5926-25-10
13	Stud	8	5914-21-10	5914-21-10	5914-21-10	5914-21-10	5914-21-10
14	Bonnet	1	33297-02-01	33297-02-01	33297-03-01	33297-03-01	33297-03-02
15	Check Valve	1	19776-01	678627-01-99	19776-01	678627-01-99	678627-01-99
16	Grease Fitting	1	5929-25	5929-55	5929-25	5929-55	5929-55
17a	Bonnet Gasket (TYPE 'F')	1	19141-06	19141-06	19141-06	19141-06	19141-06
17b	Bonnet Gasket (TYPE 'FC')	1	44671-01	44671-01	44671-01	44671-01	44671-01
18	Gate & Seat Assembly	1	21353-17-02	21353-17-16	21353-17-3	21353-17-16	21353-17-36
19	Stem	1	29381-01	29381-01	29381-01	29381-01	29381-01
20	Gate	1	19797-03	23039-02	19797-02	23039-02	23039-06
21	Retainer Plate	2	611404-09	611404-09	611404-09	611404-09	611404-10
22	Seat Ring	2	611527-01	611527-01	611527-01	611527-01	611527-01
23	Seal Ring	2	610500-49	610500-49	610500-49	610500-49	610500-49
24	Pin		-	-	-	-	-
25	Body	1	44651-01	44651-01	44651-01	44651-01	44651-02
26	Name Plate	1	19052-01	19052-01	19052-01	19052-01	19052-01
**	27 Seal Ring	2	610500-49	610500-49	610500-49	610500-49	610500-49
**	28 Body Bushing	2	630693-02	630693-02	630693-02	630693-02	630693-02
**	29 Guide	2	44646-01	44646-01	44646-01	44646-01	44646-01

* 15,000 PSI Req. 2 Parts, 1 Packing, 1 Ring.

** Not Used on F Type.



MCM OIL TOOLS

Tel: 713-541-1212 Fax: 713-541-4664 E-mail: sales@mcmoiltools.com

9217 Summerbell Lane, Houston, Texas 77074



6A-0566

Replacement parts for Cameron Type 'F' & 'FC' Manual Valve 2-1/16"

Item No.	Description	Qty	5,000 PSI	5,000 PSI	10,000 PSI	10,000 PSI	15,000 PSI	15,000 PSI
			Regular Trim	Super Trim	Stainless Steel Trim	Super Trim	Stainless Steel Trim	Super Trim
			Part Number	Part Number	Part Number	Part Number	Part Number	Part Number
1	Handwheel	1	19937-01	19937-01	19937-03	19937-03	19937-03	19937-03
2	Bearing Cap	1	19106-01	19106-01	19106-01	19106-01	19106-01	19106-01
3	Grease Fitting (Bearing Cap)	2	5929-05	5929-05	5929-05	5929-05	5929-05	5929-05
4	O-Ring	1	OR-340	OR-340	OR-340	OR-340	OR-340	OR-340
5	Bearing Race	4	TRD2840	TRD2840	TRD2840	TRD2840	TRD2840	TRD2840
6	Thrust Bearing	2	NTA2840	NTA2840	NTA2840	NTA2840	NTA2840	NTA2840
7	O-Ring (Stem-Adapter)	1	OR-222	OR-222	OR-222	OR-222	OR-222	OR-222
8	Stem Adapter	1	20871-01	20871-01	20871-01	20871-01	20871-01	20871-01
9	Stem Pin	1	21812-14	21812-14	21812-14	21812-14	21812-14	21812-14
10	Packing Gland	1	20874-01	20874-01	20874-01	20874-01	20874-01	20874-01
11a	Stem Packing	1	686598-01	686598-01	686598-01	686598-01	686598-01	686598-01
* 11b	Back Up Ring	1	—	—	—	—	691889-01	691889-01
12	Nut	8	5926-09	5926-09	5926-25	5926-25	5926-23-10	5926-23-10
13	Stud	8	5912-67	5912-67	5914-18	5914-18	5915-67-10	5915-67-10
14	Bonnet	1	33297-01-01	33297-01-01	33297-04-01	33297-04-01	33297-05-01	33297-05-01
15	Check Valve	1	—	—	678627-01-99	19776-01	678627-01-99	678627-01-99
16	Grease Fitting	1	5929-25	5929-55	5929-25	5929-55	5929-25	5929-55
17	Bonnet Gasket	1	21793-09	21793-11	19141-07	19141-07	19141-07	19141-07
18	Gate & Seat Assembly	1	21353-02-01	21353-02-12	21353-02-03	21353-02-13	21353-02-03	21353-02-13
19	Stem	1	19778-01	29381-01	29381-01	29381-01	29381-01	29381-01
20	Gate	1	19798-04	23042-02	19798-03	23042-02	19798-03	23042-02
21	Retainer Plate	2	611404-01	611404-01	611404-01	611404-01	611404-01	611404-01
22	Seat Ring	2	44844-06	44844-06	44844-06	44844-06	44844-06	44844-06
23	Seal Ring	2	610500-23	610500-23	610500-23	610500-23	610500-23	610500-23
24	Pin	2	21813-06	21813-06	—	—	—	—
25	Body	1	694812-01-01	694812-01-01	235000-01-01	235000-01-01	610591-01	610591-02
26	Name Plate	1	19052-01	19052-01	19052-01	19052-01	19052-01	19052-01
** 27	Seal Ring	2	610500-23	610500-23	610500-23	610500-23	610500-23	610500-23
** 28	Body Bushing	2	630691-01	630691-01	630691-01	630691-01	630691-01	630691-01
** 29	Guide	2	694811-01	694811-01	694811-01	694811-01	694811-01	694811-01

* 15,000 PSI Req. 2 Parts, 1 Packing, 1 Ring.

** Not Used on 'F' Type.



MCM OIL TOOLS

Tel: 713-541-1212 Fax: 713-541-4664 E-mail: sales@mcmoiltools.com

9217 Summerbell Lane, Houston, Texas 77074



6A-0566

Replacement parts for Cameron Type 'F' & 'FC' Manual Valve 2-9/16"

Item No.	Description	Qty.	5,000 PSI	5,000 PSI	10,000 PSI	10,000 PSI	15,000 PSI	15,000 PSI	15,000 PSI
			Regular Trim	Super Trim	Stainless Steel Trim	Super Trim	Stainless Steel Trim	Super Trim	Full SS w/Super Trim
			Part Number	Part Number	Part Number	Part Number	Part Number	Part Number	Part Number
1	Handwheel	1	19937-01	19937-01	19937-03	19937-03	19937-03	19937-03	19937-03
2	Bearing Cap	1	19106-01	19106-01	19106-01	19106-01	19312-01	19312-01	19312-01
3	Grease Fitting (Bearing Cap)	2	5929-05	5929-05	5929-05	5929-05	5929-05	5929-05	5929-05
4	O-Ring	1	OR-340	OR-340	OR-340	OR-340	OR-340	OR-340	OR-340
5	Bearing Race	4	TRD2840	TRD2840	TRD2840	TRD2840	TRD3244	TRD3244	TRD3244
6	Thrust Bearing	2	NTA2840	NTA2840	NTA2840	NTA2840	NTA3244	NTA3244	NTA3244
7	O-Ring (Stem-Adapter)	1	OR-222	OR-222	OR-222	OR-222	OR-222	OR-222	OR-222
8	Stem Adapter	1	20871-01	20871-01	20871-01	20871-01	20873-01	20873-01	20873-01
9	Stem Pin	1	21812-14	21812-14	21812-14	21812-14	21812-15	21812-15	21812-15
10	Packing Gland	1	20874-01	20874-01	20874-01	20874-01	20890-01	20890-01	20890-01
11	Stem Packing *	1	686598-01	686598-01	686598-01	686598-01	666853-02	666853-02	666853-02
12	Nut	12	5926-10-10	5926-10-10	5926-23-10	5926-23-10	5926-25-10	5926-25-10	5926-25-10
13	Stud	12	5915-60-10	5915-60-10	5915-40-10	5915-40-10	5926-2-10	5926-2-10	5926-2-10
14	Bonnet	1	33297-06-01	33297-06-01	33297-08-01	33297-08-01	33298-01-01	33298-01-01	33298-01-01
15	Check Valve	1	—	—	19776-01	678627-01-99	19776-01	678627-01-99	19776-01
16	Grease Fitting	1	5929-25	5929-55	5929-25	5929-55	5929-25	5929-55	5929-55
17a	Bonnet Gasket (TYPE 'F')	1	21793-10	21793-12	19141-08	19141-08	19141-12	19141-12	19141-12
17b	Bonnet Gasket (TYPE 'FC')	1	21793-10	21793-12	19141-08	19141-08	44671-2	44671-2	44671-2
18	Gate & Seat Assembly	1	21353-25-03	21353-25-20	21353-25-04	21353-25-14	21353-25-05	21353-25-16	21353-25-15
19	Stem	1	19778-02	29381-02-99	19285-02	29381-02-99	23253-03	38228-03-99	23283-03
20	Gate	1	19799-05	23044-02	19799-03	23044-02	20986-03	23426-02	20986-03
21	Retainer Plate	2	611404-11	611404-11	611404-11	611404-11	611404-07	611404-07	611404-08
22	Seat Ring	2	44839-06	44839-06	44839-06	44839-06	44922-06	44922-06	44922-06
23	Seal Ring	2	610500-33	610500-33	610500-33	610500-33	610500-52	610500-52	610500-52
24	Pin	2	21813-06	21813-06	—	—	—	—	—
25	Body	1	694812-01-01	694812-04-01	32878-11	32878-11	44645-01	44645-01	44645-02
26	Name Plate	1	19052-01	19052-01	19052-01	19052-01	19052-01	19052-01	19052-01
27	Seal Ring **	2	610500-33	610500-33	610500-33	610500-33	610500-33	610500-33	610500-33
28	Body Bushing**	2	630597-01	630597-01	630597-01	630597-01	630501-01	630501-01	630501-01
29	Guide **	2	235041-01	235041-01	235041-01	235041-01	44641-01	44641-01	44641-01

* 15,000 PSI Req. 2 Parts, 1 Packing, 1 Ring.

** Not Used on 'F' Type.



MCM OIL TOOLS

Tel: 713-541-1212 Fax: 713-541-4664 E-mail: sales@mcmoiltools.com

9217 Summerbell Lane, Houston, Texas 77074



6A-0566

Replacement parts for Cameron Type 'F' & 'FC' Manual Valve 3-1/8" & 3-1/16"

Item No.	Description	Qty	3-1/8" 5,000 PSI	3-1/8" 5,000 PSI	3-1/16" 10,000 PSI	3-1/16" 10,000 PSI	3-1/16" 15,000 PSI	3-1/16" 15,000 PSI	3-1/16" 15,000 PSI
			Regular Trim Part Number	Super Trim Part Number	Stainless Steel Trim Part Number	Super Trim Part Number	Stainless Steel Trim Part Number	Super Trim Part Number	Full SS w/Super Trim Part Number
1	Handwheel	1	19937-03	19937-03	20774-02	20774-02	20774-02	20774-02	20774-02
2	Bearing Cap	1	19106-01	19106-01	19106-01	19106-01	678472-01	678472-01	678472-01
3	Grease Fitting (Bearing Cap)	2	5929-05	5929-05	5929-05	5929-05	5929-05	5929-05	5929-05
4	O-Ring	1	OR-340	OR-340	OR-340	OR-340	OR-340	OR-340	OR-340
5	Bearing Race	4	TRD2840	TRD2840	TRD2840	TRD2840	TRD4458	TRD4458	TRD4458
6	Thrust Bearing	2	NTA2840	NTA2840	NTA2840	NTA2840	NTA4458	NTA4458	NTA4458
7	O-Ring (Stem-Adapter)	1	OR-222	OR-222	OR-222	OR-222	OR-222	OR-222	OR-222
8	Stem Adapter	1	20871-01	20871-01	20871-01	20871-01	678474-01	678474-01	678474-01
9	Stem Pin	1	21812-14	21812-14	21812-14	21812-14	21812-60	21812-60	21812-60
10	Packing Gland	1	20874-01	20874-01	20874-01	20874-01	677509-02	677509-02	677509-02
11a	Stem Packing *	1	23678-01	686598-01	23678-01	686598-01	666853-11	686598-12	686598-12
11b	Back Up Ring	1	---	---	---	---	691889-03	691889-03	691889-03
12	Nut	8	5926-25-10	5926-25-10	5926-24-10	5926-24-10	---	---	---
13	Stud	8	5914-21-10	5914-21-10	5917-33-10	5917-33-10	---	---	---
14	Bonnet	1	33297-09-01	33297-09-01	33297-10-01	33297-10-01	677513-02-01	677513-02-01	677513-02-01
15	Check Valve	1	---	---	19776-01	678627-01-99	19776-01	683590-1-99	683590-1-99
16	Grease Fitting	1	5929-25	5929-55	5929-25	5929-55	5929-25	5929-55	5929-55
17a	Bonnet Gasket (TYPE 'F')	1	21793-08	21793-27	19141-10	19141-10	19141-13	19141-13	19141-13
17b	Bonnet Gasket (TYPE 'FC')	1	21793-08	21793-27	19141-10	19141-10	44671-04	44671-04	44671-04
18	Gate & Seat Assembly	1	21353-03-01	21353-03-16	21353-03-02	21353-03-07	21353-03-32	21353-25-34	21353-03-33
19	Stem	1	19778-03	29381-03	19285-03	29381-49	687853-01	688590-01-99	688590-01-99
20	Gate	1	19800-03	23791-01	19800-02	23247-02	677512-02	678253-01	677512-01
21	Retainer Plate	2	611404-03	611404-03	611404-03	611404-03	611404-15	611404-15	611404-15
22	Seat Ring	2	44783-06	44783-06	44783-06	44783-06	678353-01	678353-01	678353-01
23	Seal Ring	2	610500-50	610500-50	610500-50	610500-50	610500-55	610500-55	610500-55
24	Pin	2	21813-06	21813-06	---	---	---	---	---
25	Body	1	---	---	694480-01	694480-01	44830-01	44737-01	44830-01
26	Name Plate	1	19052-01	19052-01	19052-01	19052-01	19052-01	19052-01	19052-01
27	Seal Ring **	2	610500-50	610500-50	610500-50	610500-50	610500-55	610500-55	610500-55
28	Body Bushing **	2	630690-01	630690-01	630469-06	630469-06	630471-02	630471-02	630471-02
29	Guide **	2	694482-01	694482-01	694482-01	694482-01	44640-01	44640-01	44640-01

* 15,000 PSI Req. 2 Parts, 1 Packing, 1 Ring. ** Not Used on 'F' Type.



MCM OIL TOOLS

Tel: 713-541-1212 Fax: 713-541-4664 E-mail: sales@mcmoiltools.com

9217 Summerbell Lane, Houston, Texas 77074



6A-0566

Replacement parts for Cameron Type 'F' & 'FC' Manual Valve 4-1/16"

Item No.	Description	Qty	5,000 PSI	5,000 PSI	10,000 PSI	10,000 PSI	15,000 PSI	15,000 PSI	15,000 PSI
			Regular Trim	Super Trim	Stainless Steel Trim	Super Trim	Stainless Steel Trim	Super Trim	Full SS w/Super Trim
			Part Number	Part Number	Part Number	Part Number	Part Number	Part Number	Part Number
1	Handwheel	1	19937-03	19937-03	20774-02	20774-02	20774-02	20774-02	20774-02
2	Bearing Cap	1	19106-01	19106-01	19312-01	19312-01	681111-01	681111-01	681111-01
3	Grease Fitting (Bearing Cap)	2	5929-05	5929-05	5929-05	5929-05	5929-05	5929-05	5929-05
4	O-Ring	1	OR-340	OR-340	OR-340	OR-340	—	—	—
5	Bearing Race	4	TRD2840	TRD2840	TRD2840	TRD3244	TRD4458	TRD4458	TRD4458
6	Thrust Bearing	2	NTA2840	NTA2840	NTA3244	NTA3244	NTA4458	NTA4458	NTA4458
7	O-Ring (Stem-Adapter)	1	OR-222	OR-222	OR-224	OR-224	OR-230	OR-230	OR-230
8	Stem Adapter	1	20871-01	20871-01	20873-01	20873-01	681112-01	681112-01	681112-08
9	Stem Pin	1	21812-14	21812-14	21812-15	21812-15	21813-34	21813-34	21813-34
10	Packing Gland	1	20874-01	20874-01	20890-01	690169	690164	690164	690164
11	Stem Packing *	1	23678-01	686598-01	23678-02	686598-02	666853-11	686598-12	686598-12
12	Nut	8	5926-23-10	5926-23-10	5926-27-10	5926-27-10	5926-28-10	5926-28-10	5926-28-10
13	Stud	8	5915-67-10	5915-67-10	6306-22-10	6306-22-10	7311-06-10	7311-06-10	7311-06-10
14	Bonnet	1	33297-14-01	33297-14-01	33298-02-01	33298-02-01	682254-01	682254-01	682254-02
15	Check Valve	1	—	—	19776-01	678627-01-99	19776-01	678627-01-99	678627-01-99
16	Grease Fitting	1	5929-25	5929-55	5929-25	5929-55	5929-25	5929-55	5929-55
17	Bonnet Gasket	1	21794-20	21794-03	19141-11	19141-11	19141-15	19141-15	19141-15
18	Gate & Seat Assembly	1	21353-04-01	21353-04-11	21353-04-03	21353-04-12	21353-04-41	21353-04-42	21353-04-43
19	Stem	1	19778-04	29381-04-99	23253-01	38228-01-99	682256-01	682564-01-99	682564-01-99
20	Gate	1	19801-03	23248-01	19794-02	23249-01	682255-01	682255-02	682255-05
21	Retainer Plate	2	611404-05	611404-05	611404-17	611404-17	682257-01	682257-01	682257-02
22	Seat Ring	2	610482-03	610482-03	610978-02	610978-02	611535-02	611535-02	611535-02
23	Seal Ring	2	610500-47	610500-47	610500-47	610500-47	610500-58	610500-58	610500-58
24	Pin	2	21813-06	21813-06	—	—	—	—	—
25	Body	1	—	—	—	—	611288-03	611288-03	611288-04
26	Name Plate	1	19052-01	19052-01	19052-01	19052-01	19052-01	19052-01	19052-01
27	Seal Ring **	2	610500-47	610500-47	610500-47	610500-47	610500-47	610500-47	610500-47
28	Body Bushing**	2	630472-02	630472-02	610774-02	610774-02	630706-02	630706-02	630706-02
29	Guide	2	694816-01	694816-01	694406-01	694406-01	611045-01	611045-01	611045-01

** 15,000 PSI Req. 2 Parts, 1 Packing, 1 Ring.

* Not Used on 'F' Type



MCM OIL TOOLS

Tel: 713-541-1212 Fax: 713-541-4664 E-mail: sales@mcmoiltools.com

9217 Summerbell Lane, Houston, Texas 77074

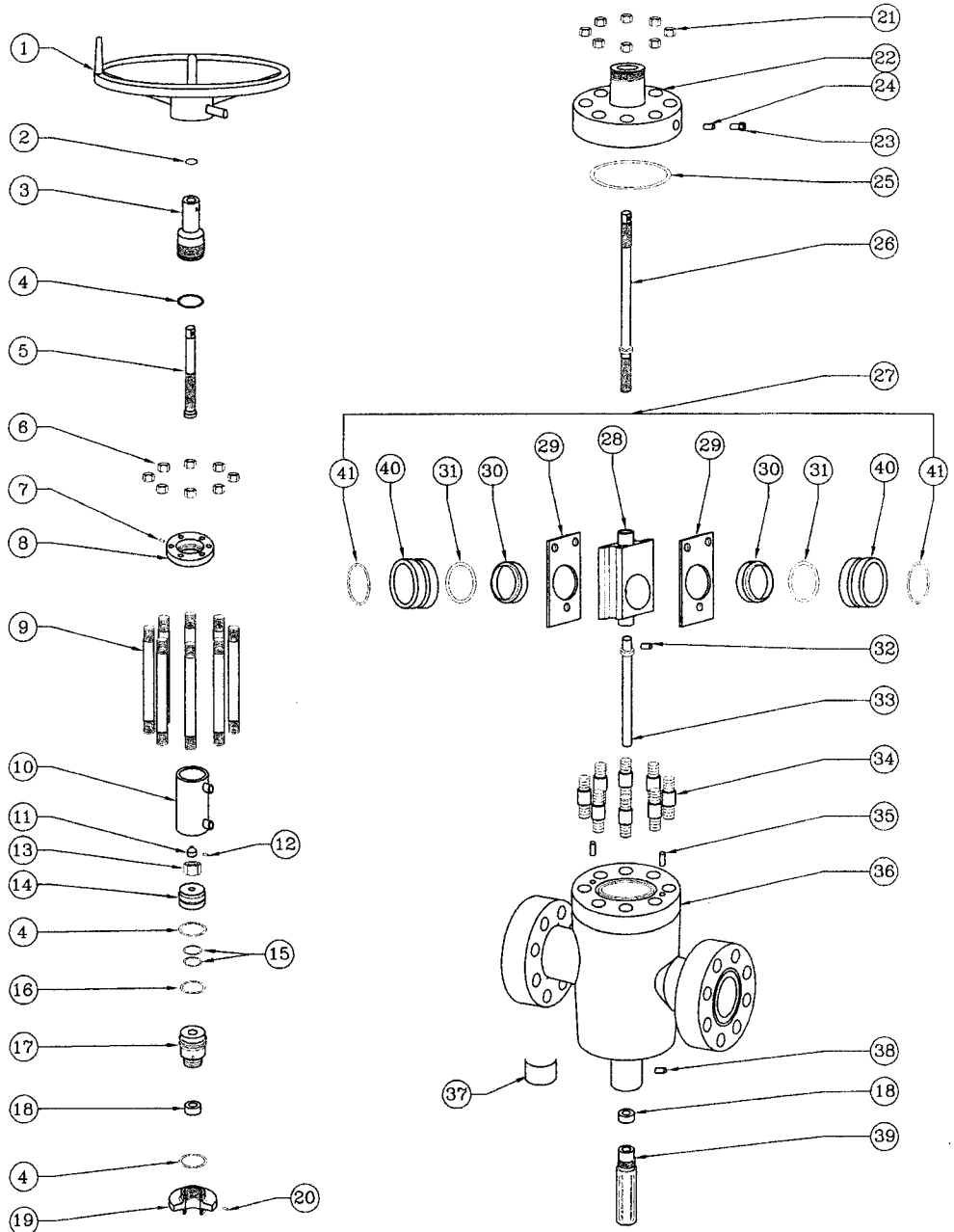


6A-0566

Cameron Style 'F' & 'FC' Hydraulic Valve

Parts List

- 1 Hand Wheel
- 2 O-Ring
- 3 Adjusting Nut
- 4 O-Ring
- 5 Locking Screw
- 6 Cylinder Head Nut
- 7 Set Screw
- 8 Blind Cylinder Head
- 9 Cylinder Head Stud
- 10 Cylinder
- 11 Centering Pin
- 12 Set Screw
- 13 Piston Lock Nut
- 14 Piston
- 15 O-Ring
- 16 O-Ring
- 17 Gland
- 18 Stem Packing
- 19 Lower Cylinder Head
- 20 Relief Valve
- 21 Bonnet Nut
- 22 Bonnet
- 23 Grease Fitting
- 24 Valve Check
- 25 Bonnet Gasket
- 26 Stem
- 27 Gate & Seat Assy.
- 28 Gate
- 29 Retainer Plate
- 30 Seat Ring
- 31 Seal Ring
- 32 Pin
- 33 Lower Stem
- 34 Bonnet Stud
- 35 Bonnet Locating Pin
- 36 Body
- 37 Name Plate
- 38 Pipe Plug
- 39 Stem Protector
- 40 Body Bushing
- 41 Body Bushing Seal
- 42 Guide
- 43 Grease Fitting





MCM OIL TOOLS

Tel: 713-541-1212 Fax: 713-541-4664 E-mail: sales@mcmoiltools.com



9217 Summerbell Lane, Houston, Texas 77074

6A-0566

Replacement parts for Cameron Type 'F' & 'FC' Hydraulic Valve 2-1/16"

Item No.	Description	5,000 PSI		10,000 PSI		15,000 PSI	
		Qty	Part Number	Qty	Part Number	Qty	Part Number
	Handwheel	1	19937-1	1	19937-3	1	19937-3
*	O-Ring	1	OR-222	1	OR-222	1	OR-222
	Adjusting Nut	1	22936-1	1	22936-1	1	22936-1
*	O-Ring	3	OR-344	3	OR-344	3	OR-344
	Locking Screw	1	18597-1	1	18597-1	1	18597-1
	Cylinder Head Nut	6	5926-8	6	5926-8	6	5926-8
	Set Screw	2	5940-6	2	5940-6	2	5940-6
	Blind Cylinder Head	1	22939-1	1	22939-1	1	22939-1
	Cylinder Head Stud	6	5911-48	6	5911-48	6	5911-48
	Cylinder	1	20459-4	1	20459-4	1	20459-4
	Centering Pin	1	18596-1	1	18596-1	1	18596-1
	Set Screw	1	5940-1-4	1	5940-1-4	1	5940-1-4
	Piston Lock Nut	1	5953-5	1	5953-5	1	5953-5
	Piston	1	20582-1	1	20582-1	1	20582-1
*	O-Ring	2	OR-214	2	OR-214	2	OR-214
*	O-Ring	1	OR-333	1	OR-333	1	OR-333
	Gland	1	20454-2	1	20454-2	1	20454-2
*	Stem Packing	2	686598-1	2	686598-1	2	686598-1
	Lower Cylinder Head	1	20583-1	1	20583-1	1	20583-1
	Relief Valve	1	5929-10	1	5929-10	1	5929-10
	Bonnet Nut	8	5926-09-10	8	5926-25	8	12955-17
	Bonnet	1	33297-1-1	1	33297-4-1	1	33297-5-1
*	Grease Fitting	1	5929-55	1	5929-55	1	5929-55
	Valve Check	-	-	1	678627-1	1	678627-1
*	Bonnet Gasket	1	21793-11	1	19141-7	1	19141-7
*	Stem	1	34272-1	1	34272-1	1	34272-1
*	Gate & Seat Assembly	1	21436-2-4	1	21436-2-4	1	21436-2-4
*	Gate	1	29786-01	1	29786-1	1	29786-1
*	Retainer Plate	2	21356-1	2	21356-1	2	21356-1
*	Seat Ring	2	18593-1	2	18593-2	2	18593-2
*	Seal Ring	2	610500-23	2	610500-23	2	610500-23
	Pin	1	21812-52	1	21812-52	1	21812-52
	Lower Stem	1	34271-2	1	34271-2	1	34271-2
	Bonnet Stud	8	5912-67	8	5914-18	8	5915-67
	Bonnet locating Pin	2	21813-6	-	-	-	-
	Body	1	20465-1	1	20465-28	1	20465-3
	Name Plate	1	19052	1	19052	1	19052
	Pipe Plug	1	5930-1	1	5930-1	1	5930-1
	Stem Protector	1	20460-2	1	20460-2	1	20460-2
	Body Bushing	2	694810-01	2	694810-01	2	694810-01
	Body Bushing Seal	2	14719-69	2	14719-69	2	14719-69
	Guide	2	694811-01	2	694811-01	2	694811-01
	Grease Fitting	1	5929-01	1	5929-01	1	5929-01

* Recommended Spare Parts

For parts not listed on the parts list, send description of the part or part number as well as trim request.